



TOLEDO BENCH

BA-TO-2000L/BA-TO-2000P



BA-TO-2000P



BA-TO-2000L

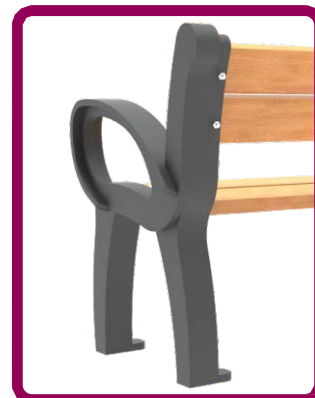
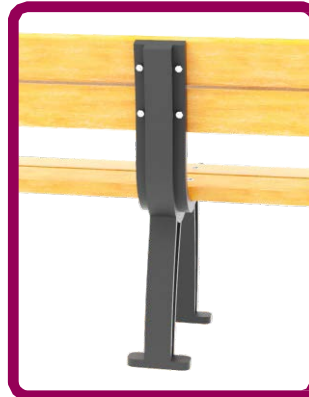
- The **Toledo Bench** with built-in armrests on the lateral supports has a design of beautiful curve lines that make it an attractive element of street furniture.
- The lateral supports grant it the necessary structure and resistance for people to sit comfortably.
- Its main function is to provide seats and rest to pedestrians by improving their quality of life and promoting the proper use of public spaces.
- It's an additional ornament that improves the infrastructure and urban furniture forming part of the image of the city.
- It's made of durable, weather-resistant, and wear and tear-resistant materials.
- These benches are assembled with two structural supports with built-in armrests and central support.
- The seat and the backrest can be made of:
 - Recycled plastic lumber profiles.
 - A 12-gauge steel sheet that can include a design or logo using laser cut.

USES

Perfect to install in parks, public squares, historic centers, etc. These benches are an essential element for public spaces and generate a successful coexistence between citizens.

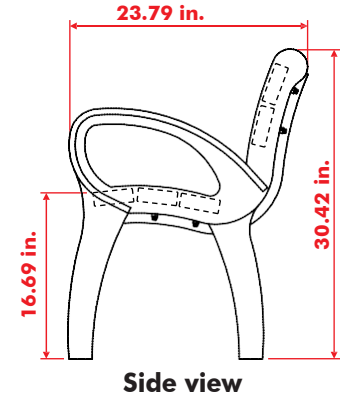
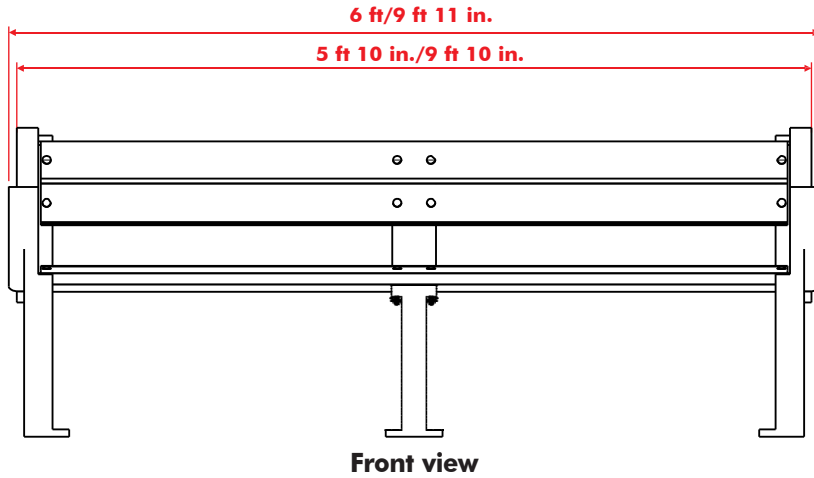
FEATURES

- It can seat up from 3 to 5 people depending on the model of the Toledo Bench.
- Our benches offer comfort and elegance by facilitating different activities like reading, hanging out with friends or family, waiting for someone, or simply resting.
- We manufacture the bench supports with 100% recycled medium-density polyethylene. By using recycled materials, we contribute to reducing greenhouse gas emissions.
- The supports provide an excellent structure and stability.
- Since all the manufacturing materials are weather resistant, these benches are perfect for outdoor use.
- Low maintenance.
- The structural supports anchor to the floor with *Ultrafix* screws of 3/8" × 5.85 in. and *Extralarge* polypropylene dowels of 3/4" × 5.46 in.



TOLEDO BENCH

BA-TO-2000L/BA-TO-2000P



Volumes, dimensions, and other measures are nominal and may vary by approximately 2%.

Measures

Length: 5 ft 10 in.
or 9 ft 10 in.

Width: 23.79 in.

Height: 30.42 in.

