



# SUJE-1 WALL MOUNT BRACKET



## DESCRIPTION

The material of the **SUJE-1 WALL MOUNT BRACKET** is galvanized steel which gathers high resistance and avoids deformations. It's designed to use with the **PC-1 Sharps Container** and the **PL-1 Liquid Waste Disposal Container**.

- It has two boreholes to screw to the wall.

## FUNCTIONALITY

Designed to place the **PC-1** and the **PL-1** on the wall.

Useful for moving and collecting residues without grabbing them for its transportation. It prevents the user has direct contact with any residue.

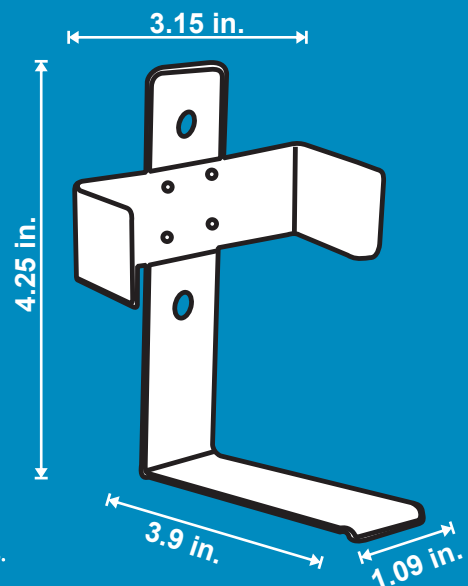
## FEATURES

### MEASURES:

**Length:** 3.9 in.  
**Width:** 3.15 in.  
**Height:** 4.25 in.

**THICKNESS:** 1 mm

**WEIGHT:** 2.1 oz.



Volumes, dimensions, and other measures are nominal and may vary by approximately 2%.

