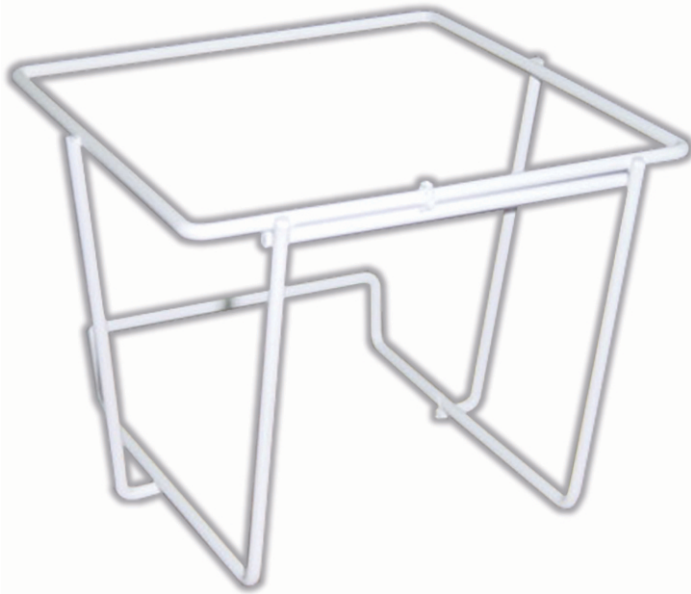




# SUJE-2C WALL MOUNT BRACKET



## DESCRIPTION

The material of the **WALL MOUNT BRACKET SUJE-2C** is steel, and it's a basket designed for the **Sharps Container PC-2**.

- It has corrosion protection with powder coating.

## FUNCTIONALITY

This basket is designed to place the **Sharps Container PC-2** on the wall.

Useful for moving and collecting residues without grabbing them for its transportation. It prevents the user has direct contact with any residue.

## FEATURES

**COLOR:** White

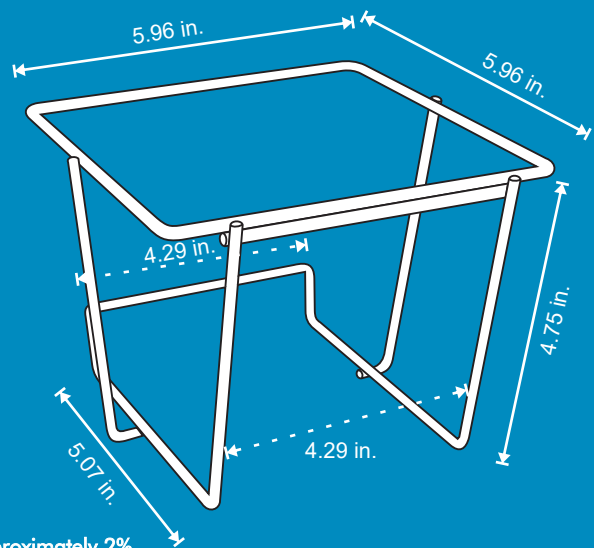
### MEASURES:

**Length:** 5.96 in.

**Width:** 5.96 in.

**Height:** 4.75 in.

**WEIGHT:** 5.42 oz.



Volumes, dimensions, and other measures are nominal and may vary by approximately 2%.



## PERFECT FOR MEDICAL AREAS



Prol. Lago Ayarza # 88-A, Bodega H-Bis, Col. San Diego Ocoyoacac, Del. Miguel Hidalgo C.P. 11290, Mexico City.

Phones: (+52) 55 5527 2498 and 55 5386 4683

info@a1contenedores.com.mx

www.a1contenedores.com.mx