

A mesh strainer to remove the remaining residues.

# WASTE OIL CONTAINER 50 L

## DESCRIPTION

The material of the **WASTE OIL CONTAINER 50 L** is medium-density polyethylene that gathers the highest fluidity conditions and the highest resistance to hits and breaks.

- Made in one piece.
- The funnel-shaped nozzle makes it easy to empty.
- The screw cap and packaging make a hermetic sealing that prevents the leaking of fluids or air.
- A mesh strainer to remove remaining residues.
- Two top handles to maneuver.
- UV protection.
- Weather resistance.
- It's designed especially for liquid waste.

## FUNCTIONALITY

The **WASTE OIL CONTAINER 50 L** is perfect to restrain liquids of any kind.

Motor or cooking oil for recycling purposes.

Once the container is filled with oil waste, the disposal company absorbs it from the container.

Perfect for gas stations, auto repair shops, households, restaurants, industrial areas, supermarkets, etc.

## CUSTOMIZATION

We can label it with the legend of the type of material or your logo according to your needs.

## FEATURES

**CAPACITY:** 50 L (13 US gal)

**COLOR:** Yellow (other colors upon request).

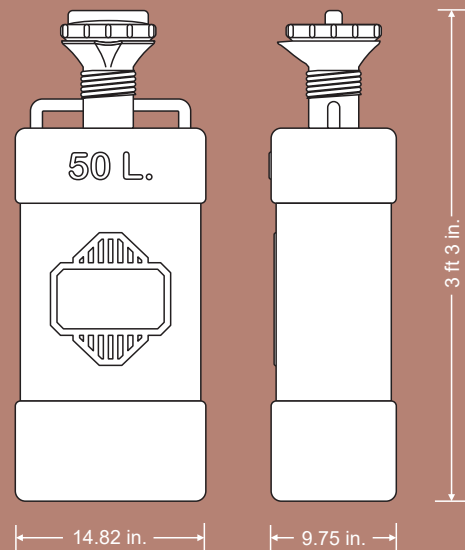
**WEIGHT:** 7.22 lb.

### MEASURES:

**Height:** 3 ft 3 in.

**Width:** 9.75 in.

**Length:** 14.82 in.



## IDEAL FOR INDUSTRIAL AREAS



Lago Ayarza # 88-A, Bodega H-Bis, Col. San Diego Ocoyoacac, Del. Miguel Hidalgo C.P. 11290, Mexico City.

Phones: (+52) 55 5527 2498 and 55 5386 4683

info@a1contenedores.com.mx

www.a1contenedores.com.mx