



WASTE CONTAINER 120

S-120



DESCRIPTION

The material of the **Container 120** is HDPE which grants it higher resistance to impacts and avoids deformations.

- UV protection.
- Weather resistance.
- Light and easy to clean.
- When the containers are empty and without a lid, they are easily stackable and reduce storage space and transportation.
- The handles are built-in the body and facilitate its control.
- The fitted tabs of the lid secure the coupling with the container.
- The lid's design allows stowing the containers because its bottom fits perfectly with the lid of the container below.
- An optional base with caster wheels facilitates its movement (code: BASE S-120).
- It's specially designed for the deposit of biohazard infectious waste.
- It's perfect for hospitals, clinics, laboratories, doctor's offices, pet clinics, etc.
- You can use it also in industrial areas, stores, and households for any type of waste.

CUSTOMIZATION

We can label it with the legend of the type of material or your logo according to your needs.

FEATURES

Four caster wheels of 2".

CAPACITY: 120 L (31 US gal).

APPROX. WEIGHT: 19.8 lb.

COLORS: Red (other colors upon request).

MEASURES:

Length: 20.47 in.

Width: 20 in.

Container's height: 28.78 in.

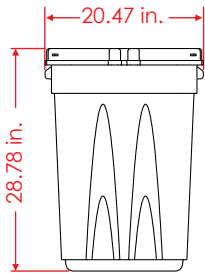
Height with wheels: 31.70 in.



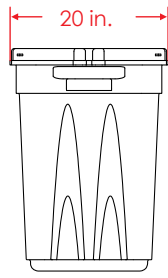


WASTE CONTAINER 120

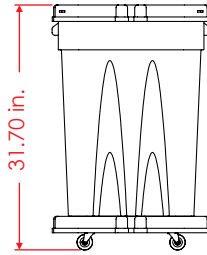
S-120



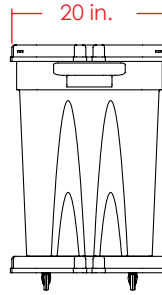
FRONT VIEW



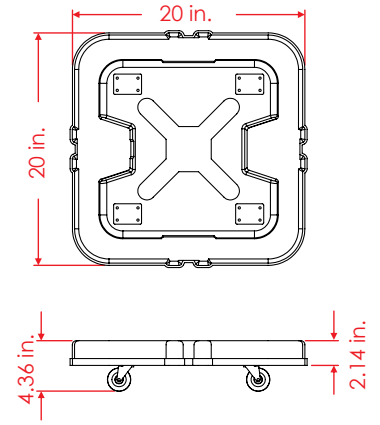
SIDE VIEW



FRONT VIEW

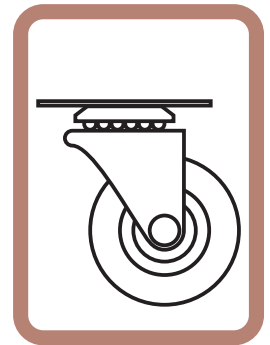


SIDE VIEW



SIDE VIEW

Volumes, dimensions, and other measures are nominal and may vary by approximately 2%.



Prol. Lago Ayarza # 88-A, Bodega H-Bis, Col. San Diego Ocoyoacac, Del. Miguel Hidalgo C.P. 11290. Mexico City.

Phones: (+52) 55 5527 2498 and 55 5386 4683

info@a1contenedores.com.mx

www.a1contenedores.net