



CUSTOMIZATION

We can label it with the legend of the type of material or your logo according to your needs.

DESCRIPTION

The material of the waste container **VIC-660 HD** is HDPE which gathers the highest resistance conditions to hits and breaks. It's specially made for the deposit of solid waste. Manufactured through an injection molding process which allows producing the body in one piece, this helps avoid stress or breaking points.

- UV protection.
- Its body has a smooth interior and rounded corners that avoid the accumulation of residues.
- The central drain plug on the bottom has a rubber O ring for hermetic sealing.
- The reinforced structural handles facilitate the disposal of waste through a lift system.
- The design of the flat lid with structural reliefs and a smooth interior without edges prevents the leakage of bad odors and sources of infection and water from entering.
- Cuenta con 4 ruedas de caucho macizo de 200 mm de
- Cuerpo con 4 asas y ceja perimetral para fácil maniobra, tapa
- Para uso interior o exterior, resistente a temperaturas extremas.
- Resistente a reactivos químicos.
- Bajos costos de inversión y mantenimiento.
- Cumple con las Normas EN 840-2/5/6, RAL-GZ 951 y

CARACTERÍSTICAS

CAPACIDAD: 660 Lts

PESO VACÍO: 40 kg

CARGA ÚTIL MAX.: 304 kg

CODIFICACIÓN DE COLORES DEL CONTENEDOR:

vd Verde oscuro

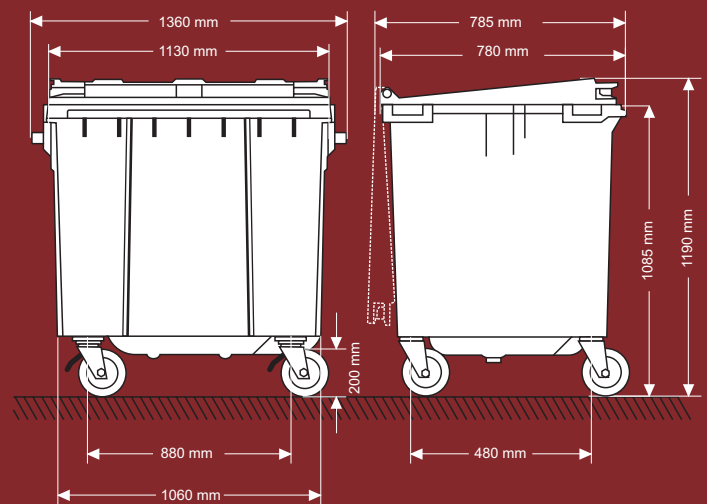
MEDIDAS:

Largo: 1360 mm.

Ancho: 780 mm.

Alto: 1190 mm.

Los volúmenes, dimensiones y otras medidas son nominales y pueden variar en +/- 2%.



Medidas en: mm