



GROVE POT



DESCRIPTION

The material of the **GROVE POT** is medium-density polyethylene through an injection molding process which allows manufacturing in one piece without riveted parts. This helps avoid stress points or fragility that could affect its resistance.

- Highly resistant to any weather conditions.
- UV protection.
- With or without coating.
- It includes a drainage canal that prevents water stagnates.
- Installation-free.
- It has the option of adding a base to avoid staining the floor.

FUNCTIONALITY

- Due to its size, the **GROVE POT** has a great presence and design.
- It's perfect for any place, outdoors or indoors, where you need to have plants.
- Very useful in squares, gardens, green roofs, households, offices, schools, hospitals, shopping malls, etc.

DRAINAGE CANAL



FEATURES

MEASURES:

Top diameter: 3 ft. 9.8 in.

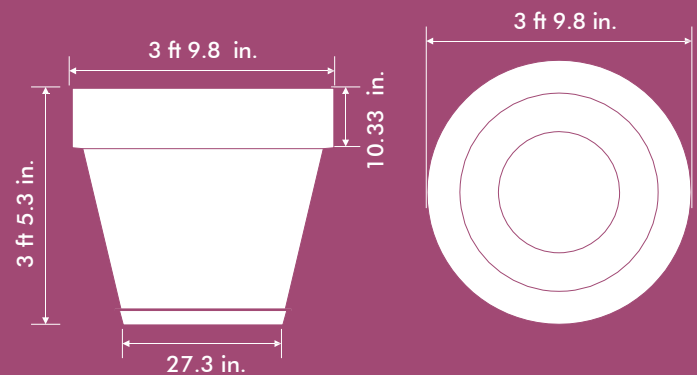
Lower diameter: 27.3 in.

Height: 3 ft 5.3 in.

WEIGHT: 77 lbs.

USEFUL LIFE: 10 years

COLORS: Terracotta or gray



Volumes, dimensions, and other measures are nominal and may vary by approximately 2%.

