



MAXI-BATTERY BATTERY RECYCLING CONTAINER



DESCRIPTION

The material of the **MAXI-BATTERY** is medium-density polyethylene made through a rotational molding process which gathers the highest quality conditions and the highest resistance to hits and breaks.

- It has UV protection which avoids discoloration.
- Weather-resistant.
- It has two parts: a body and a lid.
- The lid is slightly wider than the body, this achieves an airtight sealing.
- It includes a key that improves its security.
- Low costs of investment and maintenance.
- A double compartment to separate the button cells from the alkaline batteries.
- Two liners separate the batteries.

FUNCTIONALITY

The **Heavy-duty Battery Recycling Container** is perfect for indoors and outdoors.

It opens from the front for discharge.

CUSTOMIZATION

According to your needs, it can be labeled with your logo or the type of material it contains.

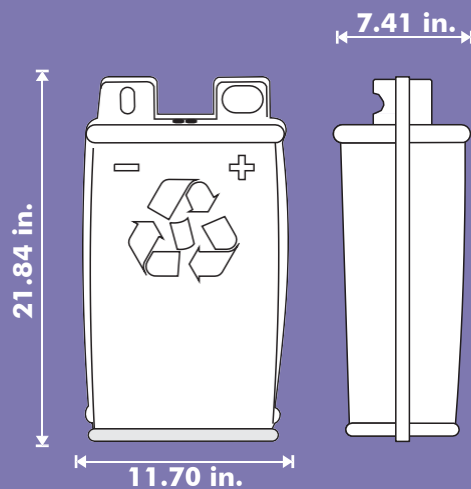
FEATURES

COLOR: Red with black.

MEASURES:

Length: 11.70 in.

Height: 21.84 in.



Volumes, dimensions, and other measures are nominal and may vary by approximately 2%.

