



# BARCELONA 80 OUTDOOR WASTE CONTAINER



## CUSTOMIZATION

According to your needs, it can be labeled with your logo or the type of material it contains.

## DESCRIPTION

The material of the **BARCELONA 80** is medium-density polyethylene with a metal frame.

- A cylindrical container.
- It features double protection against rust and corrosion generated by rain and weather conditions.
- It has resistance to weather conditions.
- The waste container comes attached to the metal frame with a round billet.
- It has two installation options: embedded in the floor or with a screw plate.
- An optional metallic liner.
- It includes a key-operated lock to prevent robberies.

## FUNCTIONALITY

The **Outdoor Waste Container** is ideal for outdoor use.

- Since it's perfect for waste collection and recycling, it helps the environment and keeps public spaces clean.
- It closes by hooking up the waste container to the base support on the bottom.
- You can empty the waste container by opening the lock and tilting it.

## FEATURES

**CAPACITY:** 80 L (21.12 US gal).

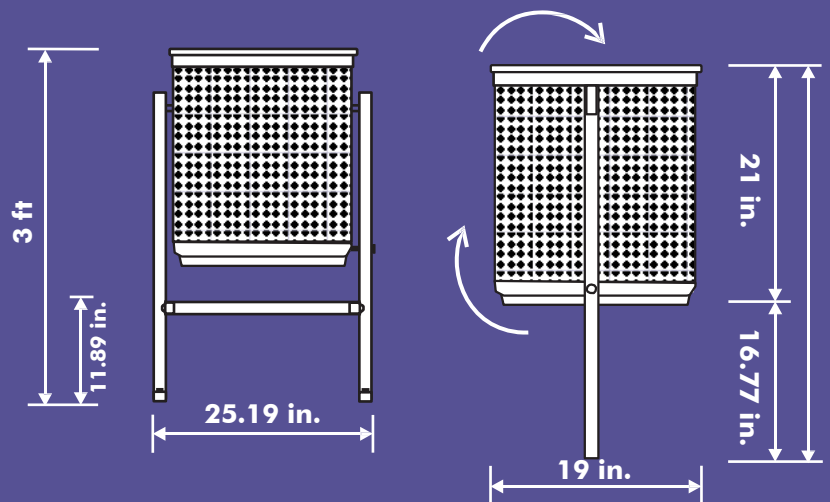
**COLORS:** Blue, green, gray, and red.

### MEASURES:

**Length:** 25.19 in.

**Width:** 19 in.

**Height:** 3 ft



Volumes, dimensions, and other measures are nominal and may vary by approximately 2%.

