



BONITA 250 OUTDOOR TRASH CAN



CUSTOMIZATION

According to your needs, it can be labeled with your logo or the type of material it contains.

DESCRIPTION

The material of the **BONITA 250** is medium-density polyethylene in two parts through a rotational molding process which gathers higher resistance to impacts and avoids deformations.

- UV protection.
- Highly resistant to weather conditions.
- The detachable lid facilitates its discharge.
- Conical shape.

FUNCTIONALITY

The **BONITA 250 OUTDOOR TRASH CAN** is ideal for indoors and outdoors waste separation.

- It's perfect for waste collection and keeping public spaces clean.
- Easy to clean.
- Avoids sources of infection.

FEATURES

CAPACITY: 250 L (66 US gal).

WEIGHT: 30.8 lbs.

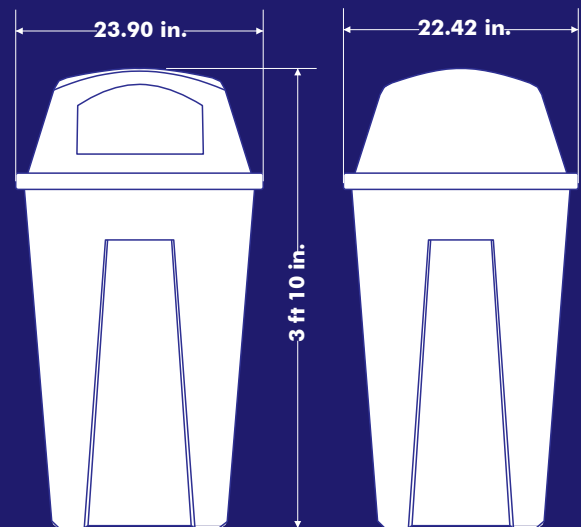
COLORS: Green, blue, gray, yellow, orange, and red.

MEASURES:

Length: 23.90 in.

Width: 22.42 in.

Height: 3 ft 10 in.



Volumes, dimensions, and other measures are nominal and may vary by approximately 2%.

