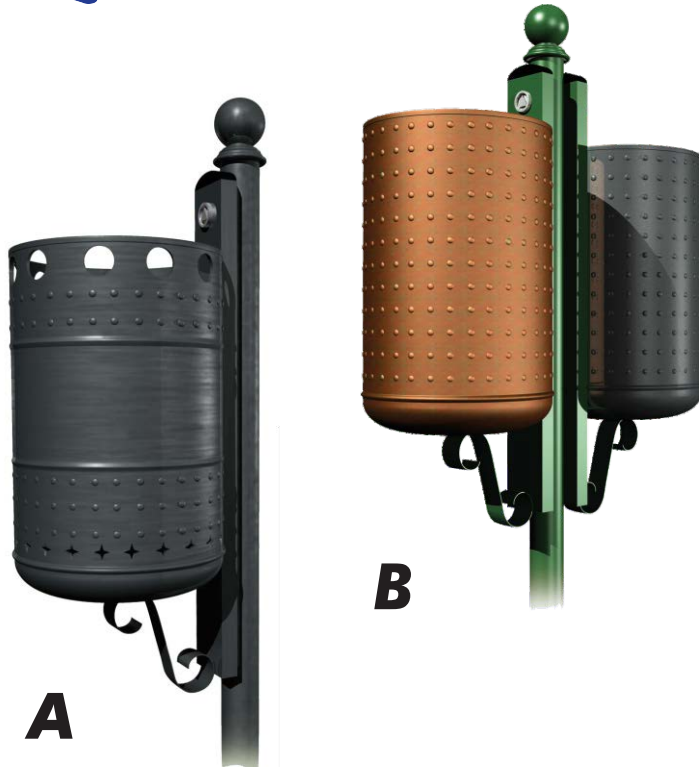




CAPRI A & B POLE MOUNT TRASH CAN



DESCRIPTION

The **CAPRI A & B Pole Mount Trash Cans** are made of steel in one piece and are resistant to any weather conditions.

- Double protection against rust and corrosion.
- Highly resistant to any weather conditions.
- Its various modern punching designs, without sharp edges or corners, grant it a higher functionality outdoors.
- Black, bronze, and old gold finishes.
- It can be fixed on poles, walls, streetlights, traffic lights, PTR poles, or on a plate to be fixed on the floor (the pole is not included.)

FUNCTIONALITY

- The **CAPRI A & B Pole Mount Trash Can** is perfect for the outdoors.
- It serves to deposit waste and keep public spaces clean.
- Perfect for public roadways.
- It has the option of adding two containers.

CUSTOMIZATION

According to your needs, it can be labeled with your logo or the type of material it contains.

FEATURES

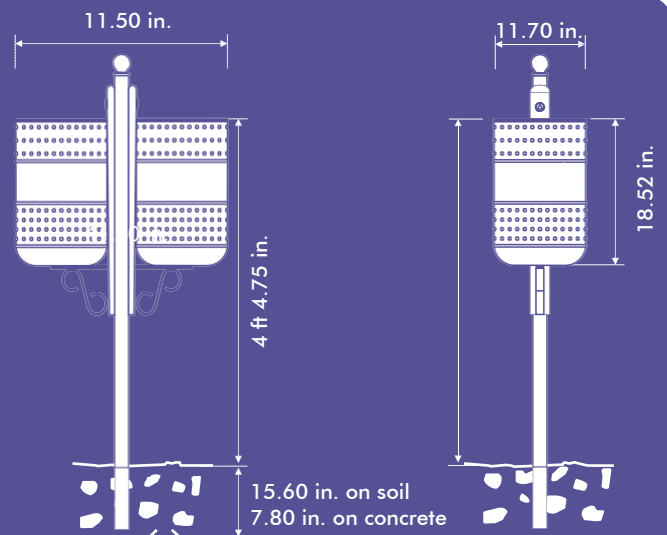
CAPACITY: 30 L (7.92 US gal).

COLORS: Black, gray, bronze, and old gold.

MEASURES:

Diameter: 11.70 in.

Height: 18.52 in.



Volumes, dimensions, and other measures are nominal and may vary by approximately 2%.

