

# DIAMOND PUSH DOOR TRASH CAN



## DESCRIPTION

The material of the **DIAMOND Push Door Trash Can** is medium-density polyethylene through a rotational molding process which gathers higher resistance to impacts and avoids deformations.

- UV protection.
- Highly resistant to weather conditions.
- The detachable lid has a push door that avoids bad odors.

## FUNCTIONALITY

The **DIAMOND PUSH DOOR TRASH CAN** is ideal for outdoor and indoor waste separation.

- Since it's perfect for waste collection, it helps keep public spaces clean.
- Ideal for shopping malls, schools, and offices.
- Easy to clean.
- Avoids sources of infection.

## CUSTOMIZATION

According to your needs, it can be labeled with your logo or the type of material it contains.

## FEATURES

**CAPACITY:** 150 L (39.60 US gal).

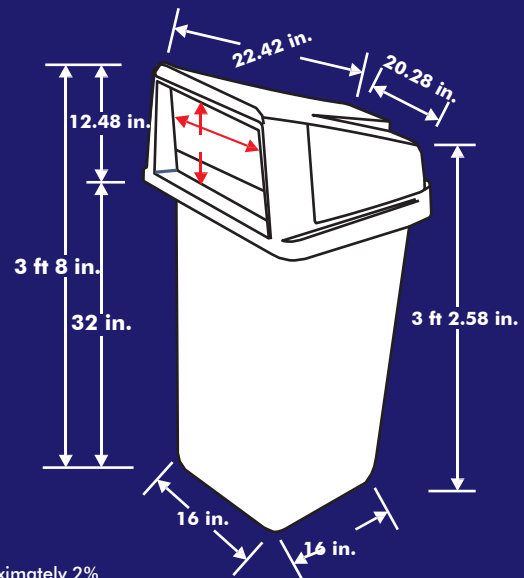
**WEIGHT:** 17.60 lbs.

**COLORS:** Green, blue, and red.

### MEASURES:

**Length:** 20.28 in.

**Width:** 22.42 in.



Volumes, dimensions, and other measures are nominal and may vary by approximately 2%.