



LIME 30 POLE MOUNT TRASH CAN



CUSTOMIZATION

According to your needs, it can be labeled with your logo or the type of material it contains.

DESCRIPTION

The material of the **LIME 30** is metal in one piece and also weather-resistant.

- Double protection against rust and corrosion.
- Highly resistant to weather conditions.
- Its modern design doesn't have edges or sharp corners making it perfect for outdoor use.
- It can be attached to posts, walls, street lights, signs, traffic signals, RHS posts, or poles with screw plates for floor-anchoring (the pole is not included.)

FUNCTIONALITY

- The **LIME 30 POLE MOUNT TRASH CAN** is ideal for outdoor waste separation.
- Since it's perfect for waste collection, it helps keep public spaces clean.
- Ideal for public roadways.
- You can place up to two trash cans on the same pole.

FEATURES

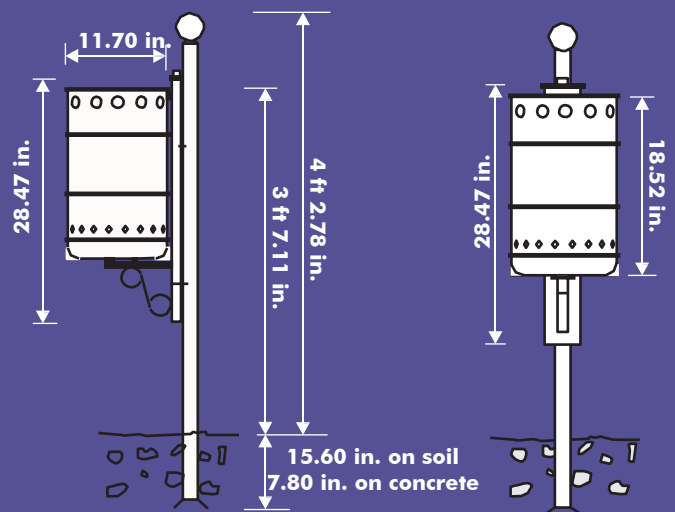
CAPACITY: 30 L (7.92 US gal).

COLORS: Gray and green.

MEASURES:

Diameter: 11.70 in.

Height: 28.47 in.



Volumes, dimensions, and other measures may vary by approximately 2%.

