



# RECIBIN 60-40

## DOUBLE-STREAM RECYCLING BIN



### DESCRIPTION

The material of the **RECIBIN 60-40 Recycling Bins** is medium-density polyethylene which guarantees a long service life.

- Conical, modern, and state-of-the-art design.
- It comes in two presentations.
- 2 stream recycling bin.
- It has two liner rings that make it perfect to attach trash bags and stop them from sticking out.
- The lid has two openings for waste separation.
- It enhances the surroundings where it's placed.

### FUNCTIONALITY

Its decorative features make it perfect for indoor use.

- Since it has two openings, it reduces the time for waste collection.
- Facilitates waste collection.

Note: If the trash bag isn't placed correctly, it can stain you when discharging waste.

### CUSTOMIZATION

According to your needs, it can be labeled with your logo or the type of material it contains.

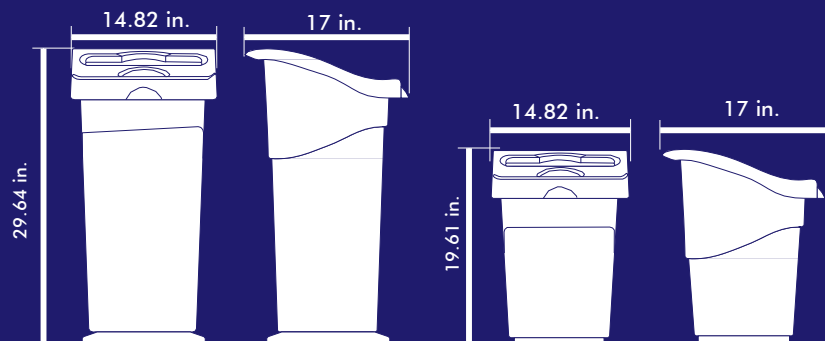
### FEATURES

**COLOR:** Black container and blue lid.

#### MEASURES:

**60: Large:** 17 in.  
**Width:** 14.82 in.  
**Height:** 29.64 in.  
**Weight:** 11.74 lbs.

**40: Large:** 17 in.  
**Width:** 14.82 in.  
**Height:** 19.61 in.  
**Weight:** 6.57 lbs.



Volumes, dimensions, and other measures are nominal and may vary by approximately 2%.

