



RECYCLE 180 OUTDOOR TRASH CAN



DESCRIPTION

The material of the **RECYCLE 180** is medium-density polyethylene that guarantees a long service life.

- Unique and striking design perfect for outdoor use.
- It can have a cover on top that helps prevent the deposit of larger trash bags.
- The trash cans are mounted over two highly aesthetic and robust supports made of black or olive polyethylene which grants them excellent fastening.
- It enhances the surroundings where it's placed.
- Temperature resistant and UV protection.
- The trash cans come in various colors to identify different types of residues.
- It's vandal and graffiti resistant.
- Installation mode: Place the supports on the floor. Insert 4 **Extralarge** dowels and 4 **Ultrafix** screws on each one (not included.)

FUNCTIONALITY

The design is perfect to place in parks, schools, colleges, beaches, streets, avenues, residential units, government buildings, etc.

- You can discharge the trash can by tilting it.
- The cover is optional.

CUSTOMIZATION

According to your needs, it can be labeled with your logo or the type of material it contains.

FEATURES

CAPACITY: 180 L (47.52 US gal).

COLOR: Yellow, gray, blue, and green.

TRASH CAN MEASURES:

Length: 25.42 in.

Width: 19.18 in.

Height: 32 in.

LID MEASURES:

Length: 28.78 in.

Width: 23.79 in.

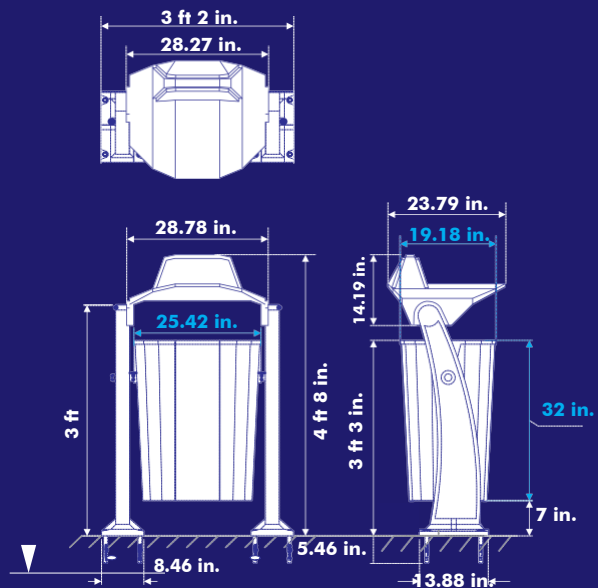
Height: 14.19 in.

TOTAL MEASURES:

Length: 3 ft 2 in.

Width: 23.79 in.

Height: 4 ft 8 in.



Volumes, dimensions, and other measures are nominal and may vary by approximately 2%.



Lago Ayarza # 88-A, Bodega H-Bis, Col. San Diego Ocoyoacac, Del. Miguel Hidalgo C.P. 11290, Mexico City.

Phones: (+52) 55 5527 2498 and 55 5386 4683

info@a1contenedores.com.mx

www.a1contenedores.com.mx