



SHARPS CONTAINER PC-2

DESCRIPTION

The material of the disposable **SHARPS CONTAINER PC-2** is polypropylene with no more than 1 ppm of heavy metals; it's chlorine-free.

- The clear view from the lids avoids overfilling.
- It's sterilizable, incinerable, and it doesn't pollute.
- Leak-proof and fracture-resistant if it falls.
- Destructible by incineration.
- It includes a needle remover and an opening for the deposit of other sharp waste.
- It has safe and secure lids.
- Puncture resistance of 12.5 N.
- It's labeled with the caption "SHARP BIOHAZARDOUS MEDICAL WASTE" and it includes the universal symbol of Biohazard.
- It complies with the **NOM-087-SEMARNAT-SSA1-2002** standard.

FUNCTIONALITY

The **SHARPS CONTAINER PC-2** is perfect for sharp waste collection and discharge and guarantees the correct disposal of biohazardous waste.

The sharps containers fill up to 80% of their capacity and are closed before being transported to the temporary storage place. They cannot be opened or emptied.



CUSTOMIZATION

It includes the symbol and the caption "Biohazard."

FEATURES

COLOR: Red

CAPACITY: 0.99 to 2.95 Quarts

WEIGHT: 7.35 oz.

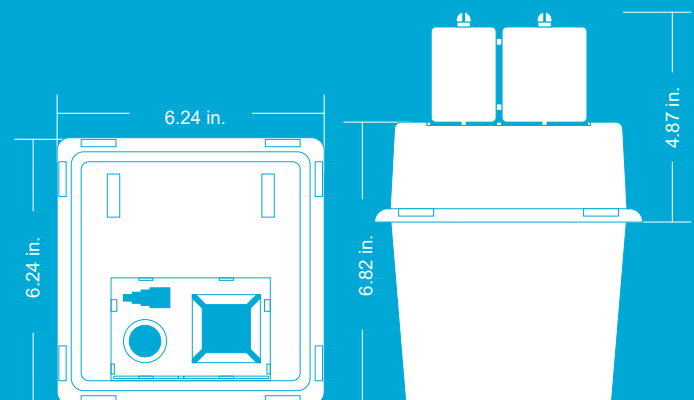
MEASURES:

Length: 6.24 in.

Width: 6.24 in.

Total height closed: 6.82 in.

BRAND: A1



Volumes, dimensions, and other measures are nominal and may vary by approximately 2%.



PERFECT FOR MEDICAL AREAS



ProL. Lago Ayarza # 88-A, Bodega H-Bis, Col. San Diego Ocoyoacac, Del. Miguel Hidalgo C.P. 11290, Mexico City.

Phones: (+52) 55 5527 2498 and 55 5386 4683

info@a1contenedores.com.mx

www.a1contenedores.com.mx