



TILT TRUCK-1000

DESCRIPTION

The material of the **TILT TRUCK-1000** is medium-density polyethylene in one piece through a rotational molding process that gathers higher resistance to impacts and avoids deformations.

- UV protection.
- Highly resistant to weather conditions.
- Four casters for easy transportation.
- The design makes it dump forward facilitating its discharge.
- The metallic frame has double protection against rust and corrosion generated by rainwater and other weather conditions.
- Optional hinged lid made of medium-density polyethylene.



CUSTOMIZATION

According to your needs, it can be labeled with your logo or the type of material it contains.

FUNCTIONALITY

- The **Tilt Truck-1000** is perfect for trash collection and the separation of different types of residues.
- Ideal for trash collection on public roads.
- Manual discharge.
- Easy to clean.
- Avoids sources of infection.

FEATURES

A pair of 10" pneumatic casters.

A pair of 4" swivel casters.

CAPACITY: 1000 L (264 US gal).

WEIGHT WITH FRAME: 130 lb.

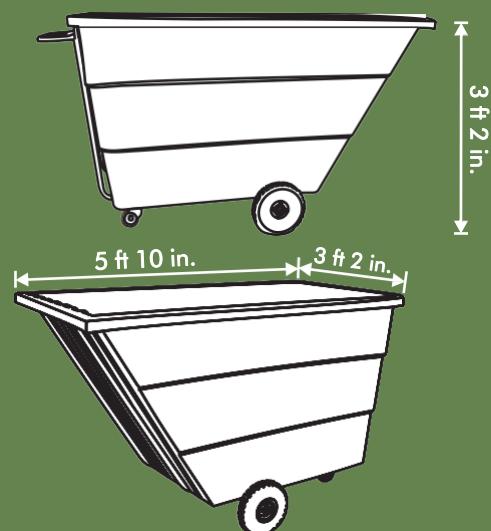
COLORS: Green, red, gray, and blue.

MEASURES:

Length: 5 ft 10 in.

Width: 34.71 in.

Height: 3 ft 2 in.



Volumes, dimensions, and other measures are nominal and may vary by approximately 2%.

