



TILT TRUCK-750

DESCRIPTION

The material of the **TILT TRUCK-750** is medium-density polyethylene in one piece through a rotational molding process that gathers higher resistance to impacts and avoids deformations.

- UV protection.
- Highly resistant to weather conditions.
- It has the option of adding a polyethylene handle.
- Four casters for better transportation.
- The design makes it dump forward facilitating its discharge.
- It has the option of adding a metallic frame with double protection against rust and corrosion generated by rainwater and other weather conditions.
- Optional hinged lid made of medium-density polyethylene.

FUNCTIONALITY

- The **Tilt Truck-750** is perfect for trash collection and the separation of different types of residues.
- Ideal for trash collection on public roads.
- Manual discharge.



CUSTOMIZATION

According to your needs, it can be labeled with your logo or the type of material it contains.

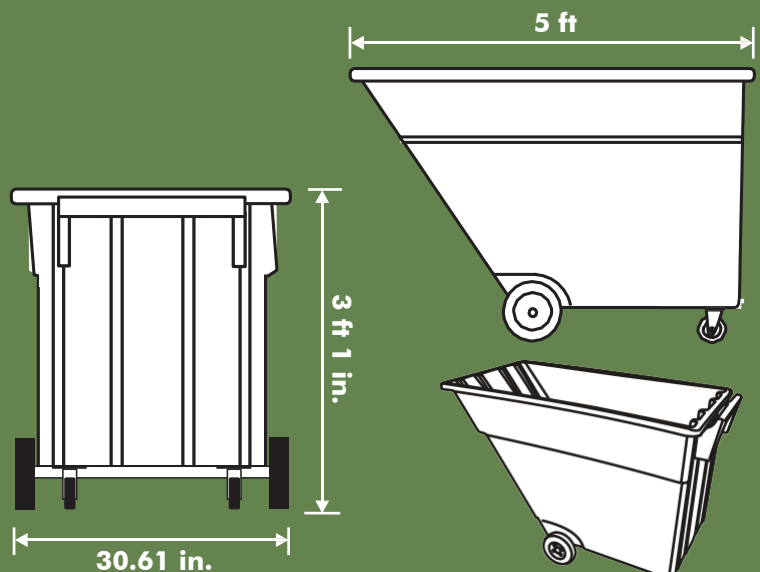
FEATURES

A pair of 10" pneumatic casters.
A pair of 4" swivel casters.

CAPACITY: 750 L (198 US gal).
WEIGHT WITH HANDLE: 77 lb.
WEIGHT WITH FRAME: 116 lb.
COLORS: Green, red, gray, and blue.

MEASURES:

Length: 5 ft
Width: 30.61 in.



Volumes, dimensions, and other measures are nominal and may vary by approximately 2%.

